

opticalCON® DUO LITE Cable Connector Assembly

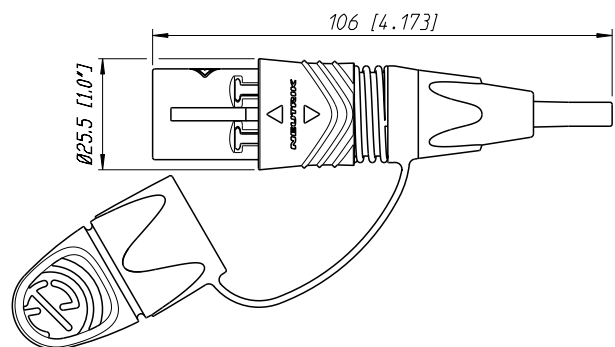
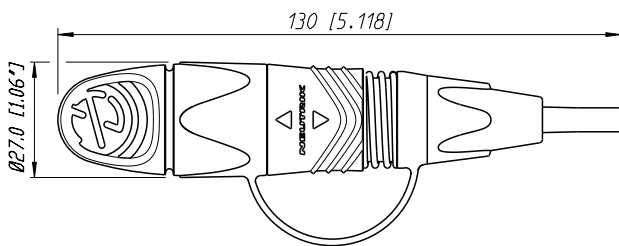
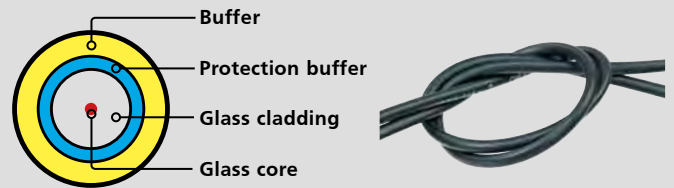


NKO2M-L*

- 2-channel fiber optic connection system
- Cost optimized fiber connection for semi and permanent installations
- Waterproof acc. to IP65 safety standard in mated condition
- Small form factor
- Push-Pull locking mechanism for save connection
- Easy to clean, no special tools required
- Compatible with standard opticalCON DUO chassis NO2-4FDW-A*

Tactical Patch Cable

Conventional patch cables are sensitive in terms of under cutting the minimum bending radius and lateral pressure. Neutrik's tactical patch cables feature unique fiber design including a protection buffer which allows bendings with minimal radius and increased lateral pressure. Therefore the tactical patch cables are the right choice for permanent or semi-permanent applications.



**SETTING
STANDARDS**

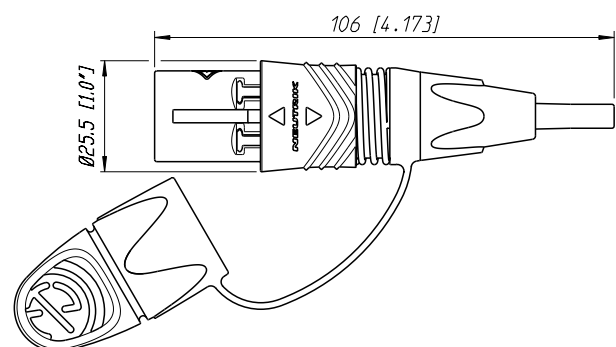
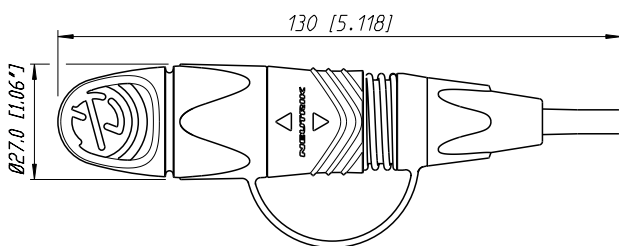
opticalCON® QUAD LITE

Cable Connector Assembly

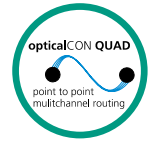


NKO4M-L*

- 4-channel fiber optic connection system
- Waterproof acc. to IP65 safety standard in mated condition
- Push-pull locking mechanism
- Recommended for point-to-point connection
- Easy to clean, no special tools required
- Tactical patch cable
- Compatible with standard opticalCON ADVANCED NO4FDW-A chassis



**SETTING
STANDARDS**



Technical Data

Technical Data Optical Cable Connector

Optical connector		PC
Fiber	Multimode, Singlemode PC / APC	●
Insertion loss	< 0.5 dB / connection	●
min. Return loss	PC > 50 dB	●
	APC > 60 dB	●

MECHANICAL

Insertion / withdrawal force	< 45 N	●
Lifetime (mating cycles)	> 2'500	●
Cable retention force	Fiber only > 500 N	●
	Hybrid > 500 N	●
	SMPTE > 500 N	●

MATERIAL

Shell	PBT 30% GR	●
Insert / Insulation	PBT 30% GR	●
Strain relief	Brass, Ni plated	●
Bushing	PA6	●
Boot	EPDM, rubber boot	●
Split sleeve	Ceramics	●

ENVIRONMENTAL

Operating temp.	-40°C to +75°C	●
Flammability	UL94 HB	●
Protection class	in mated condition IP65	●

Technical Data Cables

	4M	4S
Max. number of fibers	4	4
Mode - Multimode PC	●	-
- Single mode PC / APC	-	●
Fiber - 50 / 125-OM3	●	-
- 9 / 125-G657A	-	●
Bend optimized fiber	●	●
Laser optimized fiber	●	-
Cable retention		
- Aramid yarn	●	●
- Crimp type	-	-
Overall diameter (mm)	3.5	3.5
Jacket - PUR black matte	●	●
Optical connector		
- LC-Duplex	-	-
- LC based	●	●
Min. bending radius (cm)	3.5	3.5
Weight (kg / km)	14	12
Attenuation (dB / km)	@ 850 nm ≤ 3.0 @ 1300 nm ≤ 1.0	@ 1310 nm ≤ 3.0 @ 1550 nm ≤ 1.0
Bandwidth (MHz-km)	@ 850 nm ≥ 1500 @ 1300 nm ≥ 500	@ 850 nm ≥ 1500 @ 1300 nm ≥ 500
Refraction index	@ 850 nm - 1.481 @ 1300 nm - 1.476	@ 850 nm - 1.481 @ 1300 nm - 1.476

Accessories for Cable Connector



SCNKO-L



NOR-*

SCNKO-L	Rubber dirt protection for opticalCON LITE cable connector (spare part)										
NOR-*	Color coding ring for cable connector chassis										
*: 0- black, 1- brown, 2- red, 3- orange, 4- yellow, 5- green, 6- blue, 7- violet, 8- grey, 9- white											
	<table border="1"> <tr> <td>0</td><td>1</td><td>2</td><td>3</td><td>4</td><td>5</td><td>6</td><td>7</td><td>8</td><td>9</td> </tr> </table>	0	1	2	3	4	5	6	7	8	9
0	1	2	3	4	5	6	7	8	9		

Packaging options and max. cable length see on the part number generator - www.neutrik.com

0



-0... Only airspool packaging available

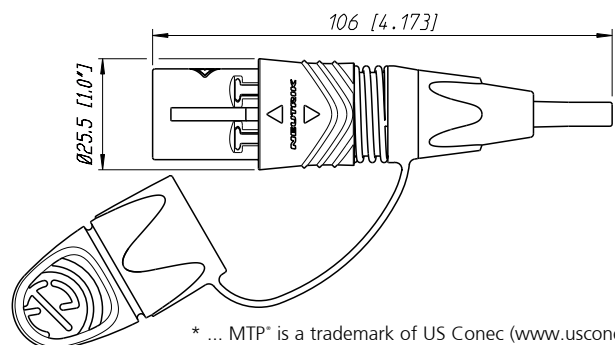
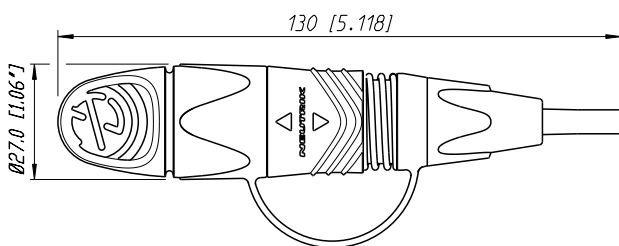


opticalCON® MTP® 12 LITE Cable Connector Assembly



NKO12M-L*

- 12-channel MTP® based fiber optic connection system
- Waterproof acc. to IP65 safety standard in mated condition
- Recommended for multi-signal transmission
- Push-pull locking mechanism
- Custom color coding
- Rugged housing
- Rubber protection cap
- Compatible with standard opticalCON ADVANCED NO12FDW-A chassis



* ... MTP® is a trademark of US Conec (www.usconec.com)



**SETTING
STANDARDS**

Technical Data

Technical Data Optical Cable Connector		
Optical connector		MTP® ELITE female
Fiber	Multimode, Singlemode PC / APC	●
Insertion loss	< 0.9 dB / connection	●
min. Return loss	PC > 50 dB	●
	APC > 60 dB	●
MECHANICAL		
Insertion / withdrawal force	< 45 N	●
Lifetime (mating cycles)	> 1'500	●
Cable retention force	Fiber only > 500 N	●
	Hybrid > 500 N	●
	SMPTE > 500 N	●
MATERIAL		
Shell	PBT 30% GR	●
Insert / Insulation	PC, PEI	●
Strain relief	Brass, Ni plated	●
Bushing	PA6	●
Boot	EPDM, rubber boot	●
ENVIRONMENTAL		
Operating temp.	-40°C to +75°C	●
Flammability	UL94 HB	●
Protection class	in mated condition IP65	●

Technical Data Cables		
	12M	12SA
Max. number of fibers	12	12
Mode	- Multimode PC	-
	- Single mode PC / APC	●
Fiber	- 50 / 125-OM3	-
	- 9 / 125-G657A	●
Bend optimized fiber	●	●
Laser optimized fiber	●	-
Cable retention		
	- Aramid yarn	●
	- Crimp type	-
Overall diameter (mm)	3.5	3.5
Jacket	- PUR black matte	●
Optical connector		
	- LC-Duplex	-
	- LC based	●
Min. bending radius (cm)	3.5	3.5
Weight (kg / km)	12.0	12.0
Attenuation (dB / km)	@ 850 nm ≤ 3.0 @ 1300 nm ≤ 1.0	@ 1310 nm ≤ 3.0 @ 1550 nm ≤ 1.0
Bandwidth (MHz-km)	@ 850 nm ≥ 1500 @ 1300 nm ≥ 500	@ 850 nm ≥ 1500 @ 1300 nm ≥ 500
Refraction index	@ 850 nm - 1.481 @ 1550 nm - 1.476	@ 1310 nm - 1.481 @ 1550 nm - 1.476

Accessories for Cable Connector



SCNKO-L



NOR-*

SCNKO-L	Rubber dirt protection for opticalCON LITE cable connector (spare part)										
NOR-*	Color coding ring for cable connector chassis										
	*: 0- black, 1- brown, 2- red, 3- orange, 4- yellow, 5- green, 6- blue, 7- violet, 8- grey, 9- white										
	<table border="1"> <tr> <td>0</td><td>1</td><td>2</td><td>3</td><td>4</td><td>5</td><td>6</td><td>7</td><td>8</td><td>9</td> </tr> </table>	0	1	2	3	4	5	6	7	8	9
0	1	2	3	4	5	6	7	8	9		

Packaging options and max. cable length see on the part number generator - www.neutrik.com

0



-0... Only airspool packaging available



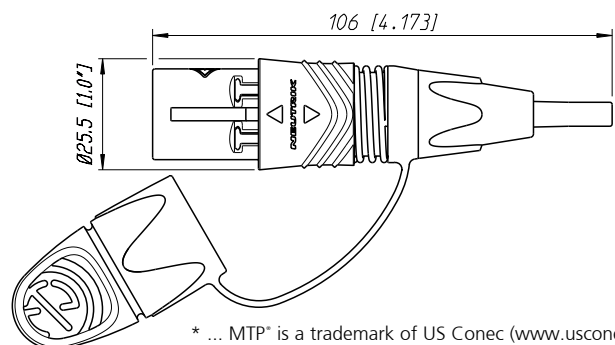
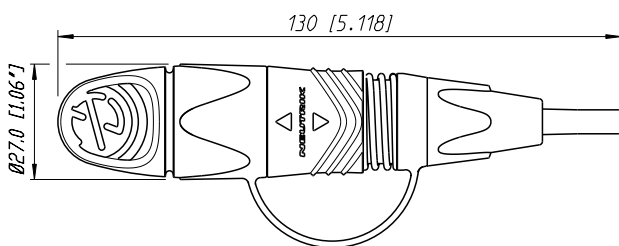
opticalCON® MTP® 24 LITE Cable Connector Assembly

NEW



NKO24M-L*

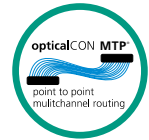
- 24-channel MTP® based fiber optic connection system
- Waterproof acc. to IP65 safety standard in mated condition
- Recommended for multi-signal transmission
- Push-pull locking mechanism
- Custom color coding
- Rugged housing
- Rubber protection cap
- Compatible with standard opticalCON ADVANCED NO24FDW-A chassis



* ... MTP® is a trademark of US Conec (www.usconec.com)



**SETTING
STANDARDS**



Technical Data

Technical Data Optical Cable Connector

Optical connector	MTP® ELITE	
	female	
Fiber	Multimode, Singlemode PC / APC	●
Insertion loss	< 0.9 dB / connection	●
min. Return loss	PC > 50 dB	●
	APC > 60 dB	●

MECHANICAL

Insertion / withdrawal force	< 45 N	●
Lifetime (mating cycles)	> 1'500	●
Cable retention force	Fiber only > 500 N	●
	Hybrid > 500 N	●
	SMPTE > 500 N	●

MATERIAL

Shell	PBT 30% GR	●
Insert / Insulation	PC, PEI	●
Strain relief	Brass, Ni plated	●
Bushing	PA6	●
Boot	EPDM, rubber boot	●

ENVIRONMENTAL

Operating temp.	-40°C to +75°C	●
Flammability	UL94 HB	●
Protection class	in mated condition IP65	●

Technical Data Cables

	24M	24SA
Max. numbers of fibers	24	24
Mode	- Multimode PC	-
	- Single mode PC / APC	●
Fiber	- 50 / 125-OM3	-
	- 9 / 125-G657A	●
Bend optimized fiber	●	●
Laser optimized fiber	●	-
Cable retention		
	- Aramid yarn	●
	- Crimp type	-
Overall diameter (mm)	3.5	3.5
Jacket	- PUR black matte	●
Optical connector		
	- LC-Duplex	-
	- LC based	●
Min. bending radius (cm)	3.5	3.5
Weight (kg / km)	12.0	12.0
Attenuation (dB / km)	@ 850 nm ≤ 3.0 @ 1300 nm ≤ 1.0	@ 1310 nm ≤ 3.0 @ 1550 nm ≤ 1.0
Bandwidth (MHz-km)	@ 850 nm ≥ 1500 @ 1300 nm ≥ 500	@ 850 nm ≥ 1500 @ 1300 nm ≥ 500
Refraction index	@ 850 nm - 1.481 @ 1550 nm - 1.476	@ 1310 nm - 1.481 @ 1550 nm - 1.476

Accessories for Cable Connector



SCNKO-L



NOR-*

SCNKO-L Rubber dirt protection for opticalCON LITE cable connector (spare part)

NOR-* Color coding ring for cable connector chassis

*: 0- black, 1- brown, 2- red, 3- orange, 4- yellow, 5- green, 6- blue, 7- violet, 8- grey, 9- white



Packaging options and max. cable length see on the part number generator - www.neutrik.com

0



-0... Only airspool packaging available

